

Rainfinity

Overhead shower 250 3jet EcoSmart with wall connector

Surfaces: **Matt White** Article Number: **26233700**



Description

product features

- consists of: overhead shower, wall connector
- shower head size: 250 mm
- spray type: PowderRain, Intense PowderRain, RainStream
- Select button on thermostat
- projection 273 mm
- middle spray disc: 151 mm
- frame: metal
- material spray disc: aluminium
- spray disc surface: graphite
- shower head vertically inclinable by 10-30°
- maximum flow rate at 3 bar: 9 l/min
- flow rate PowderRain spray (at 3 bar): 9 l/min
- flow rate Intense PowderRain (at 3 bar): 9 l/min
- flow rate RainStream spray (at 3 bar): 9 l/min
- minimum flow pressure: 1,9 bar
- the 3 spray zones must be controlled via 3 valves or a diverter valve with 3 outlets
- overhead shower removable for cleaning
- installation: wall-mounted - for installation on iBox
- connection dimension: DN15

Technology



Design awards



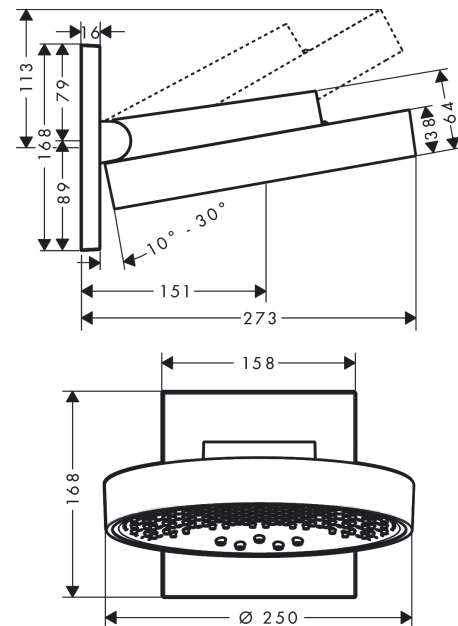
reddot award 2019
best of the best



Product image



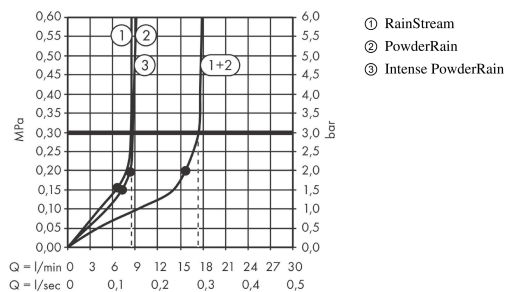
Scale drawing



Rainfinity
Overhead shower 250 3jet EcoSmart with wall connector
 Surfaces: **Matt White** Article Number: **26233700**



Flowchart

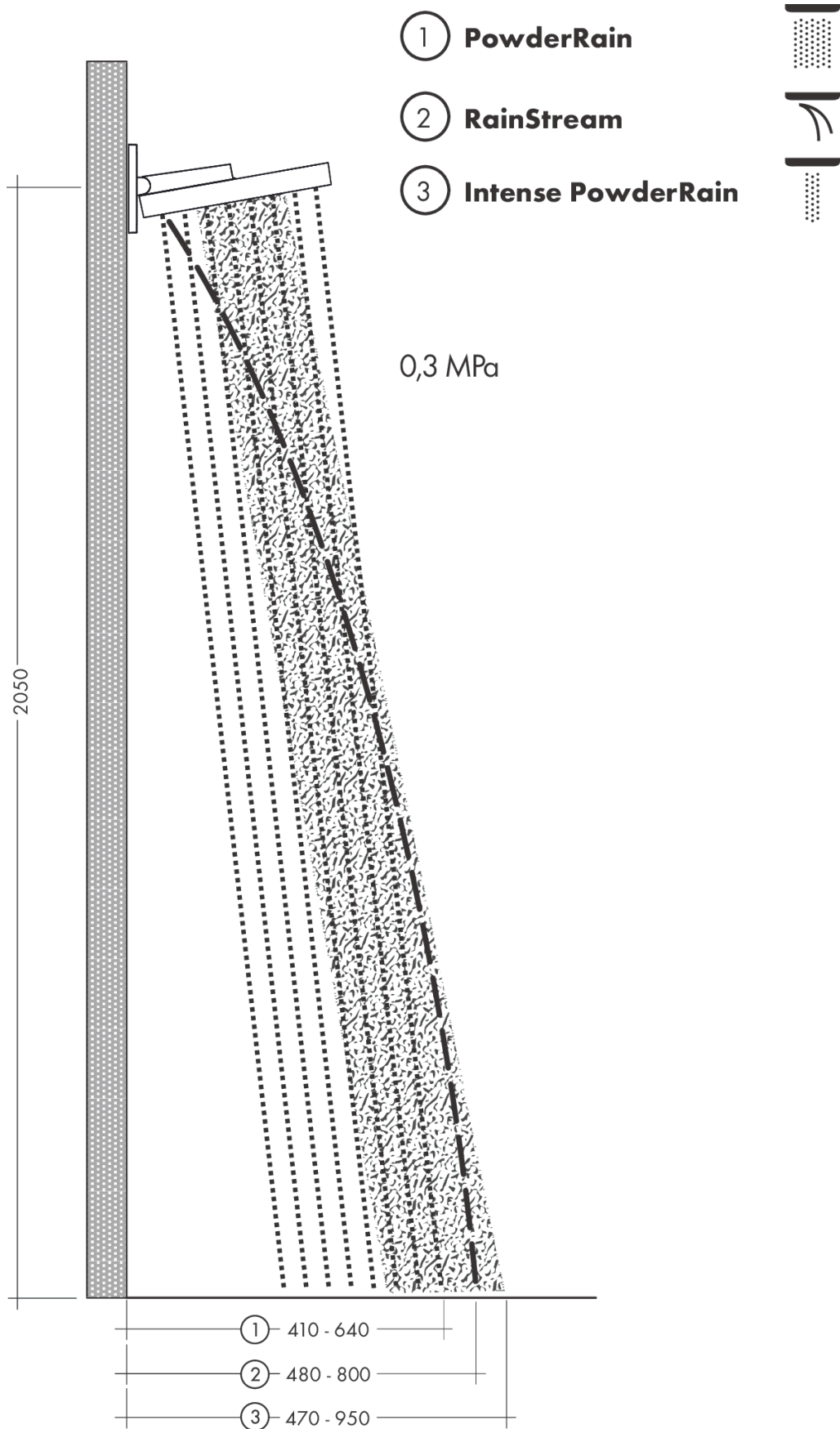


The consumption was measured in combination with the appropriate fittings (thermostat/mixer/in-wall valve) to reflect actual application in practice.

Rainfinity
Overhead shower 250 3jet EcoSmart with wall connector
 Surfaces: **Matt White** Article Number: **26233700**



Installation examples

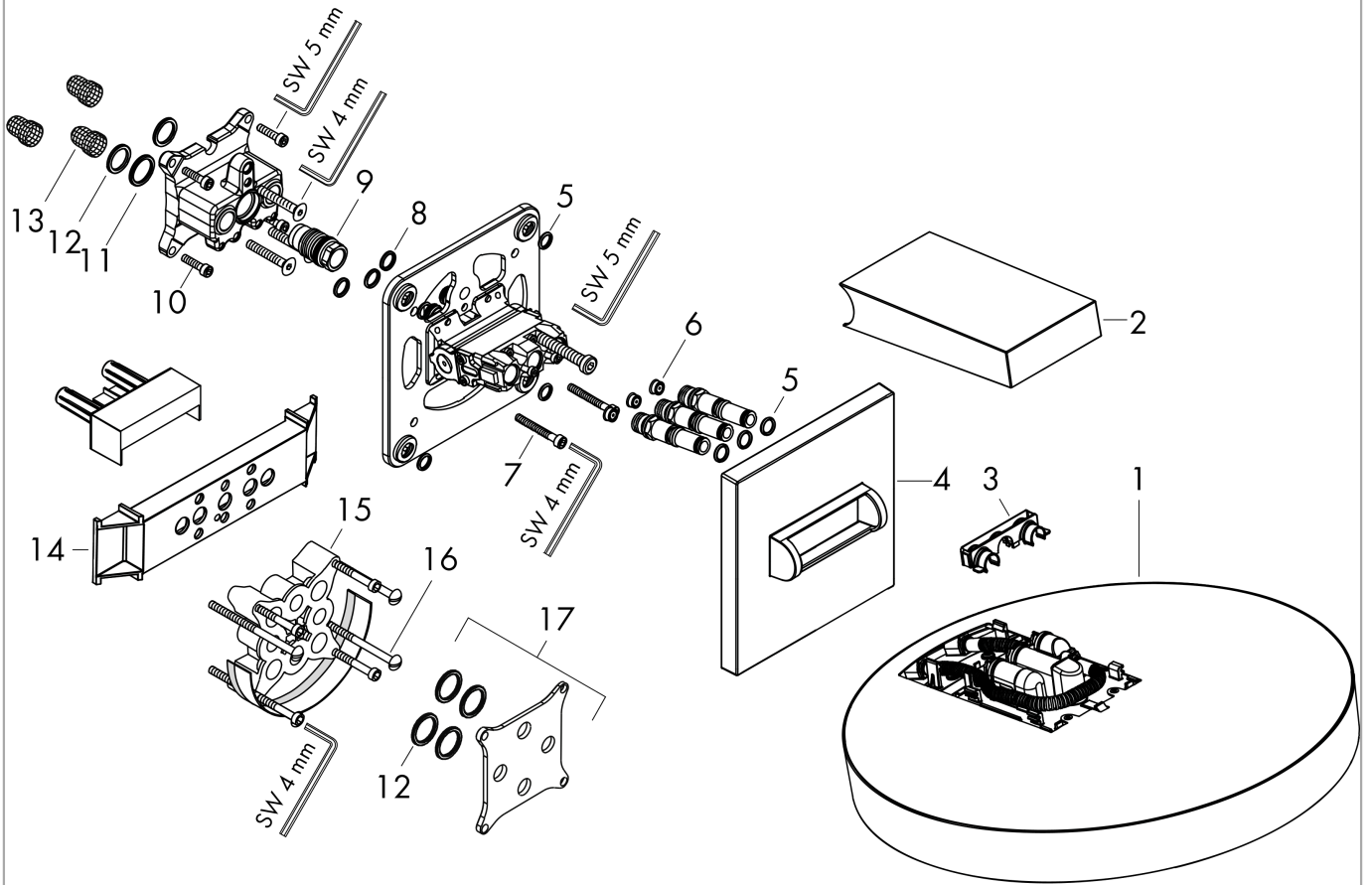


Rainfinity
Overhead shower 250 3jet EcoSmart with wall connector
 Surfaces: **Matt White** Article Number: **26233700**



Exploded Drawing

Year of production: >07/19



Rainfinity**Overhead shower 250 3jet EcoSmart with wall connector**Surfaces: **Matt White** Article Number: **26233700****Spare part list**

Year of production: >07/19

| Pos. | Description | Article Number | Price | PU |
|------|----------------------------|----------------|-------|----|
| 1 | cover | 93524700 | - | 1 |
| 2 | cramp | 93525000 | - | 1 |
| 3 | escutcheon | 93523700 | - | 1 |
| 4 | O-ring 9x2 | 98119000 | - | 1 |
| 5 | flow limiter (9 l/min) | 95659000 | - | 1 |
| 6 | hexagon socket screw M5x40 | 97673000 | - | 1 |
| 7 | O-ring 10x2 | 98170000 | - | 1 |
| 8 | O-ring 17x2 | 98199000 | - | 1 |
| 9 | set of screws | 96525000 | - | 1 |
| 10 | O-ring 18x2 | 98181000 | - | 1 |
| 11 | O-ring 16x2 | 98133000 | - | 1 |
| 12 | filter | 98513000 | - | 1 |
| 13 | fit-up aid | 92540000 | - | 1 |
| 14 | extension 25 mm | 13595000 | - | 1 |
| 15 | set of fixing screws | 97747000 | - | 1 |
| 16 | compensation set 1° | 95521000 | - | 1 |